



AquaComet

C-Line Terrace

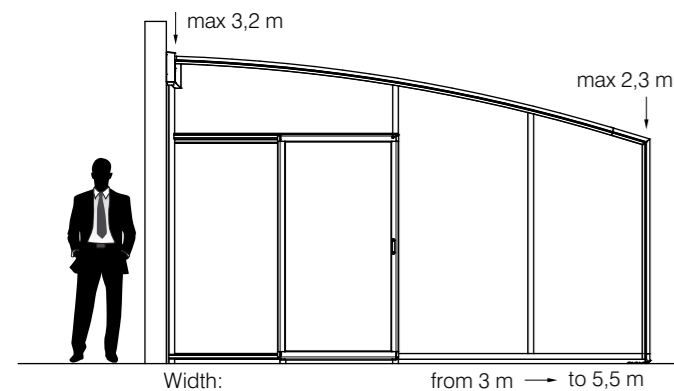


AQUACOMET – NEW C-LINE

C-LINE: COMFORT AND CLASS IN A CHIC FORM

Aquacomet Ltd is a European company that has been producing fiberglass swimming pools and a wide range of swimming pool enclosures for over 20 years and this is just the beginning. In recent years Aquacomet has expanded its product range with new, wall attached models called C-line in order to be able to offer alternatives to make outdoor terraces, open public places and porches useful throughout the year.





The Creative C-line end walls are fixed in an open position.

ENJOYABLE USE EVERY DAY



MODIFY AN OPEN SPACE ACCORDING TO YOUR OWN NEEDS. DESIRE AND CREATE THE COZY, CONFINED, SHELTER THAT YOU HAVE DREAMED ABOUT. THIS DREAM CAN COME TRUE TODAY WITH AQUACOMET'S WALL-MOUNTED MODELS.

CREATIVE model

C-line

IT IS A PLEASANTLY SHAPED, LIGHT CONSTRUCTION THAT IS SUITABLE TO SHELTER SMALLER AND MIDDLE SIZE AREAS IN A NON-INTRUSIVE WAY.

- THE TELESCOPIC ALUMINUM STRUCTURE INCLUDES SLIGHTLY ARCHED SLIDING SEGMENTS
- THE SEGMENTS CAN BE OPENED AND CLOSED EASILY BY HAND
- THE GLAZING CAN BE TRANSPARENT OR TRANSLUCENT IN ORDER TO PROVIDE PROTECTION AGAINST STRONG SUNSHINE



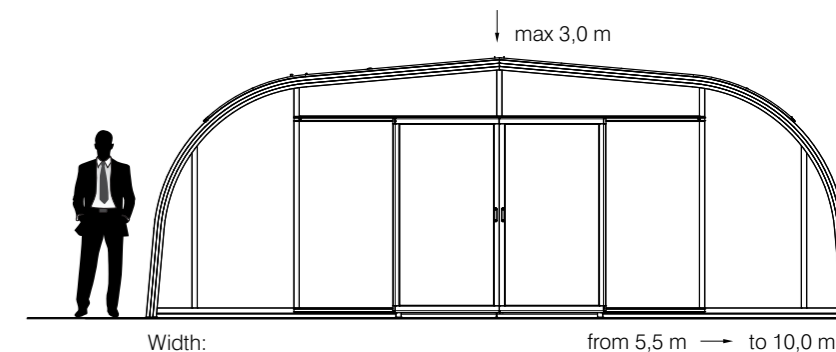
ELEGANT AND COMFORTABLE OUTSIDE AREAS FOR PERFECT RELAXATION



THIS WALL-MOUNTED MODEL REPRESENTS AN INNOVATIVE AND AESTHETICAL DESIGN DUE TO THE ROUNDED SHAPE AND THE GABLED ROOF.



The end and side walls of this Galaxy I. model can be opened quickly and easily.



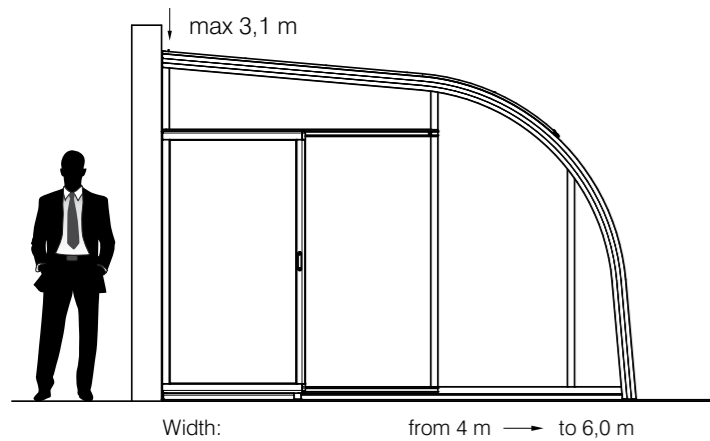
GALAXY I. Model

C-Line

THE SOFT AND ROUNDED LINES OF THIS MODEL MAKE THE WHOLE CONSTRUCTION AN INVITING SHELTER THROUGHOUT THE ENTIRE YEAR.

- THE COMPOUND LINES SUIT ANY SURROUNDINGS
- THE FLATTENED CURVED SIDE SEGMENTS SLIDE UP
- EVERY PART IS OPENED EASILY BY HAND
- HINGED OR SLIDING DOORS IN THE END WALLS
- THE GLAZING CAN EITHER BE TRANSPARENT OR TRANSLUCENT IN ORDER TO GIVE PROTECTION AGAINST THE SUNSHINE





Galaxy II. can be used with buildings that are structured in a more complicated way.



FOR THE PLEASANT MOMENTS SPENT OUTSIDE SURROUNDED BY A RELIABLE CONSTRUCTION THAT CREATES A GLOWING INSIDE ENVIRONMENT EVEN DURING THE WINTER MONTHS

GALAXY II. Model

C-line

THIS PANORAMIC AND FUNCTIONAL MODEL PROVIDES LARGE COMFORTABLE SPACES FOR DIFFERENT USE.

- CURVED ARCHES
- CURVED, SLIDE UP SEGMENTS
- EASY MANUAL OPENING
- THE ENTRANCE SIDE WALLS CONTAIN HINGED AND SLIDING DOORS
- THE GLAZING CAN EITHER BE TRANSPARENT OR TRANSLUCENT IN ORDER TO GIVE PROTECTION AGAINST THE SUNSHINE



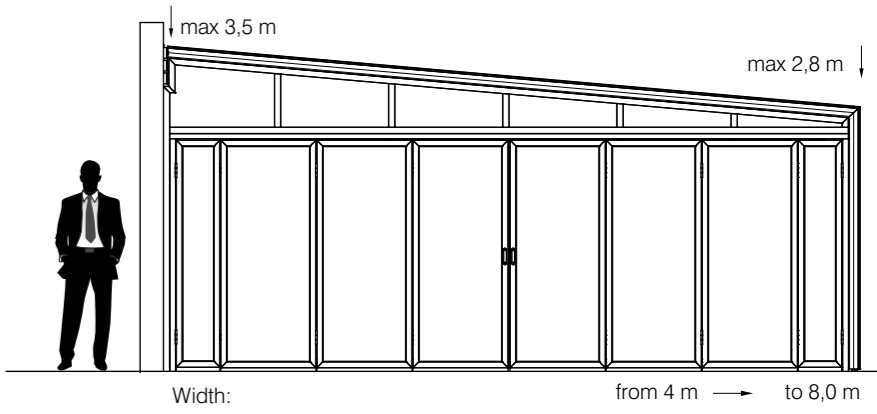
A TERRACE THAT HAS BEEN TRANSFORMED INTO A SUN ROOM



THIS GREAT, MAJESTIC STRUCTURED TELESCOPIC MODEL WAS DEVELOPED TO COVER LARGE SIZE SWIMMING POOLS AND IN A WALL-MOUNTED VERSION IT IS PERFECTLY SUITABLE TO BE USED AS A SUN ROOM.

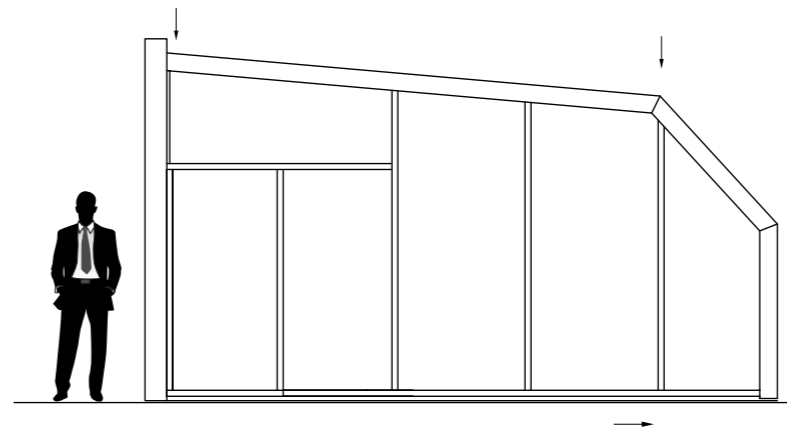


Orion models move without rails however they can be equipped with a motor on request.



ORION Model *C-Line*

- THIS PANORAMIC AND FUNCTIONAL MODEL PROVIDES LARGE COMFORTABLE SPACES
- THIS DURABLE STRONG MODEL CONTAINS TWO ALUMINUM PROFILES THUS PROVIDING AN OPPORTUNITY TO MATCH TWO DIFFERENT RAL COLORS WITHIN ONE CONSTRUCTION.
 - THE SEGMENTS CAN BE EASILY MOVED MANUALLY OR WITH A MOTOR USING A REMOTE CONTROL.
 - SIDE ENTRANCE WITH HINGED OR SLIDING DOORS.



The enclosure can be moved with a device that has suitable capacity according to the size. It is easily controlled with a remote control.



YOUR PARTNER:

