

PERGOPOLIS[®]

Shading Technologies



COMPACT MODEL



EMOTION MODEL

Your partner:

PERGOPOLIS SHADES CAN BUILD ANYTHING WITHIN THE REALM OF POSSIBILITY. PLEASE DO NOT HESITATE TO CONTACT OUR EXPERTS TO DISCUSS YOUR SPECIFIC REQUIREMENTS.

PERGOPOLIS[®]
Shading Technologies

Aquacomet reserves the right to undertake technical changes. Aquacomet does not accept responsibility for typographical errors. Copying any part of this document is prohibited.



EN

INTENSE MODEL

RETRACTABLE, WEATHER-RESISTANT
FOR YOUR HOME OR BUSINESS

PERGOPOLIS®
Shading Technologies

PERGOPOLIS[®]

Shading Technologies

WE RECOMMEND OUR PERGOLAS AS A WEATHER RESISTANT COVERAGE FOR HOTELS, RESTAURANTS AND CAFÉS.



INTENSE MODEL

Shading is probably the oldest form of architecture, going back thousands of years. Perhaps the first man-made construction was some form of shading, or pergola-like structure, providing shelter for somebody. Shading is now and industry in itself, serving growing social needs. Modern architecture provides a wide selection of shading technology and has made it indispensable for the immediate environment of residential and public buildings.

However, technical limitations of many shades put up barriers to their widespread use. Some shading solutions are sensitive to wind, become soaked in rain or cannot drive away rainwater effectively, or their size and most of all width are very limited.

With PERGOPOLIS pergolas, we offer a solution which frees your imagination and allows you to implement ideas that had not been feasible before.

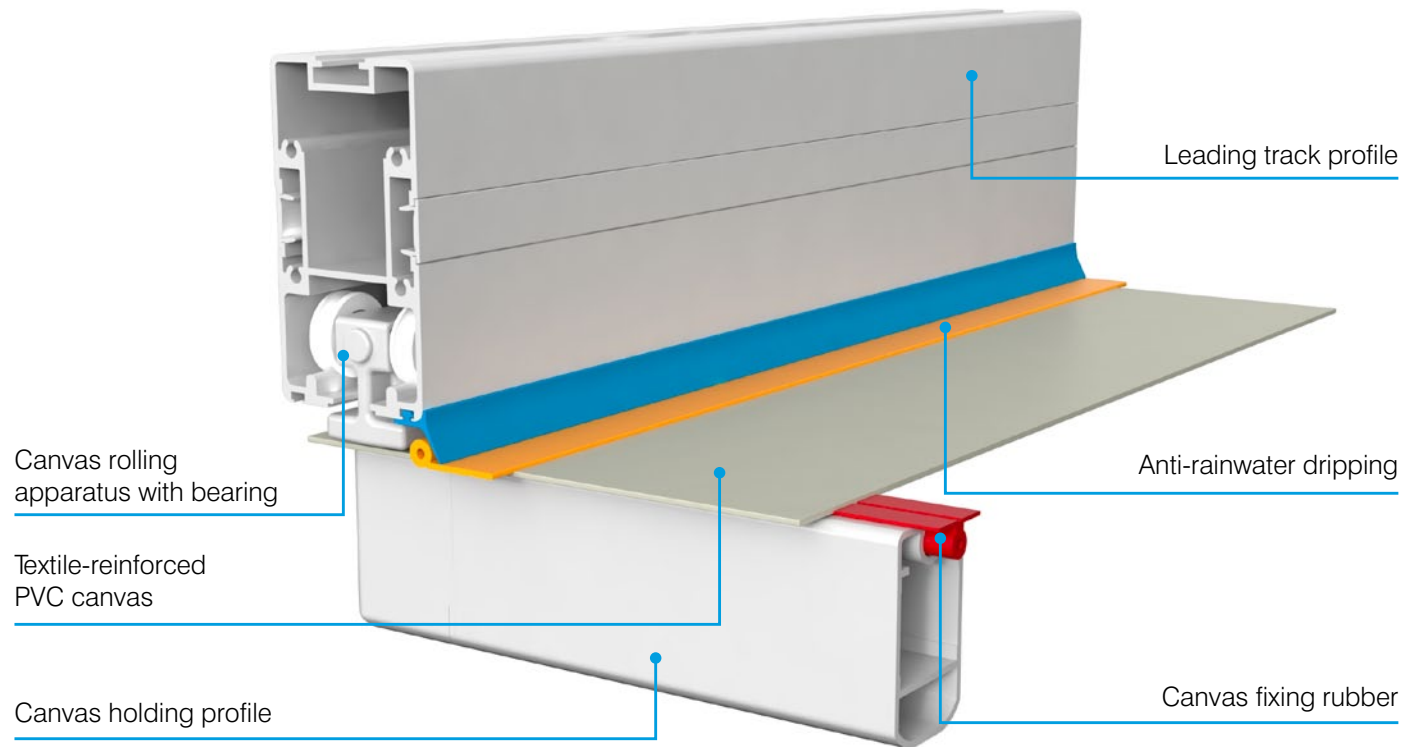


MASTER MODEL

LONG PRODUCT LIFE, RESISTANT TO WIND AND WEATHER

A unique structural feature of PERGOPOLIS pergolas is that the canvas is fixed into cross-frames every 60 centimetres, thus preventing the wind from moving or lifting it, and the shading surface in its expanded state works almost like a static roof.

The load-bearing structure of our pergolas is made of an aluminium alloy profile system, and the other parts are made of stainless materials. The color of the pergola structure by default is white (RAL9010), beige (RAL 1016), moss green (RAL 6005) and anthracite (RAL 7016). Optionally further RAL colors are available on order.

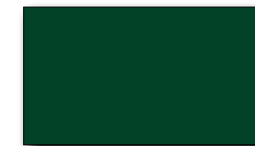


PERFECT PROTECTION AGAINST RAINWATER

The horizontal surface of our pergolas is made of waterproof, textile-reinforced 3-layer PVC canvas, which smoothly bends when retracted and drives away rainwater perfectly when extended.

Due to the weather seal along the driving tracks, the dripping of rainwater at the edges of the pergola is minimized. So a perfectly usable dry space can be arranged under the pergola by closing in the sides via sliding or folding doors. The space under the pergola can be conditioned, i.e. heated or cooled. PERGOPOLIS pergolas allow the collection and drainage of rainwater, even connection to a drainage system. Each type can optionally be ordered with eaves, yet some of our products already contain a default rain drainage system as part of the holding structure. In these types vertical water drainage takes place in the stands of the pergola.

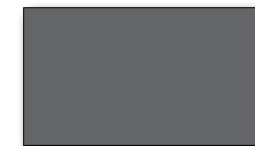
READY-TO-ORDER, STANDARD COLORS:



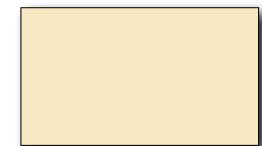
Moss green (RAL 6005)



White (RAL 9010)



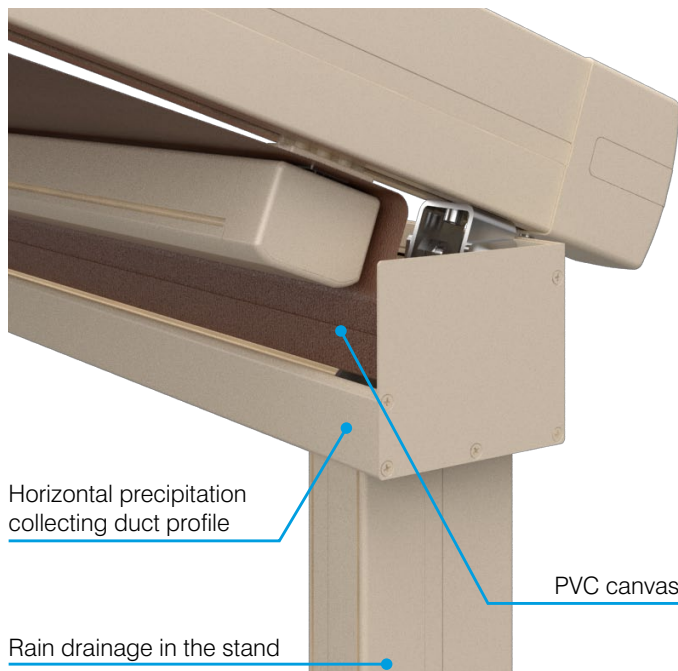
Anthracite (RAL 7016)



Ivory (RAL 1015)



THE METAL STRUCTURE IS OPTIONALLY AVAILABLE IN ANY RAL COLOR OR WOOD DÉCOR.



VARIED FORMS, CONVENIENT USE

PERGOPOLIS pergolas can be integrated into the style of the build environment with ease. Our shades can be built into wooden structures, and we can also adapt our aluminium profile system to the aesthetics of the building or the garden both in color and form. With the fixing materials provided with

our pergolas, almost every type of architectural connection is possible. Our pergolas can be used with the default, manual rolling device up to a surface of 25m². Above a pergola surface of over 25m² we recommend motorized rolling device, and we provide it for any size if requested.



Remote-controlled extension/retraction motor with light and wind automation optionally available.



EASY MODEL

WHAT ARE THE MOST IMPORTANT DIFFERENCES BETWEEN OUR PERGOLA TYPES?

- DIFFERENT CROSS SECTIONS AND BEARING DRIVING TRACKS ARE APPLIED ACROSS THE VARIOUS TYPES
- OUR PERGOLA TYPES ARE MADE IN VARIED FORMS, WITH VARIOUS NODE SOLUTIONS
- RAINWATER DRAINAGE VARIES FROM ONE TYPE TO ANOTHER (E.G INTEGRATED EAVES, SUPPLEMENTARY EAVES SYSTEM, ETC.)



EMOTION MODEL